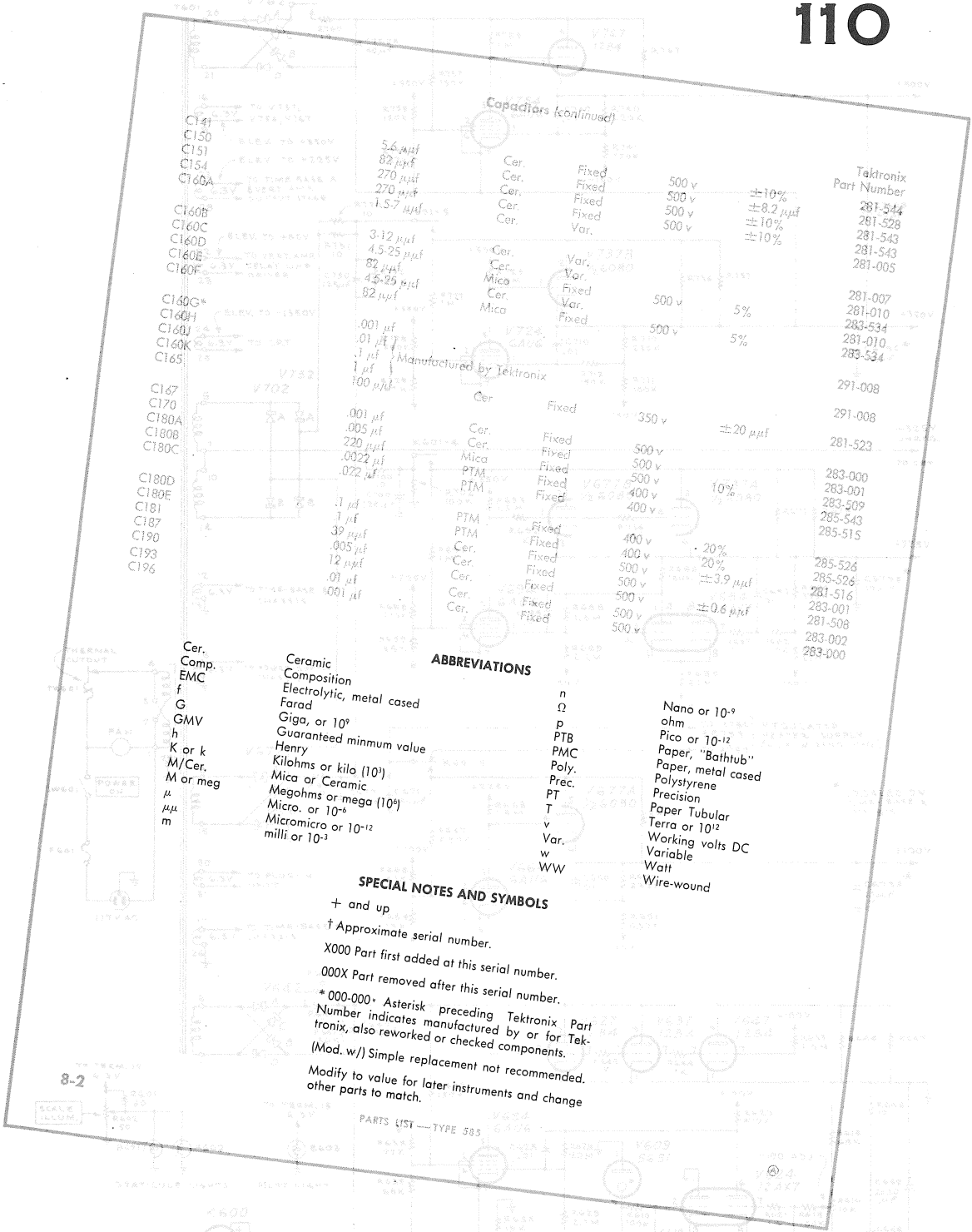


PARTS LIST *and* SCHEMATIC DIAGRAMS

000443

TYPE 110



Capacitors (continued)

Part Number	Value	Material	Type	Voltage	Tolerance	Tektronix Part Number
C141	5.6 μf	Cer.	Fixed	500 v	±10%	281-544
C150	82 μf	Cer.	Fixed	500 v	±8.2 μf	281-528
C151	270 μf	Cer.	Fixed	500 v	±10%	281-543
C154	270 μf	Cer.	Fixed	500 v	±10%	281-543
CT60A	1.5-7 μf	Cer.	Var.	500 v	±10%	281-005
C160B	3-12 μf	Cer.	Var.	500 v	5%	281-007
C160C	4.5-25 μf	Cer.	Var.	500 v	5%	281-010
C160D	82 μf	Mica	Fixed	500 v	±10%	283-534
C180B	4.5-25 μf	Cer.	Var.	500 v	±10%	281-543
C180F	82 μf	Mica	Fixed	500 v	±10%	281-005
C160G*	.001 μf	Cer.	Fixed	500 v	±10%	281-007
C160H	.01 μf	Cer.	Fixed	500 v	±10%	281-010
C160J	.01 μf	Cer.	Fixed	500 v	±10%	283-534
C160K	.1 μf	Cer.	Fixed	500 v	±10%	281-010
C165	1 μf	Cer.	Fixed	500 v	±10%	283-534
C167	100 μf	Cer.	Fixed	350 v	±10%	291-008
C170	.001 μf	Cer.	Fixed	350 v	±10%	291-008
C180A	.005 μf	Cer.	Fixed	500 v	±20 μf	281-523
C180B	220 μf	Cer.	Fixed	500 v	±10%	283-000
CT80C	.0022 μf	Mica	Fixed	500 v	±10%	283-001
C180D	.022 μf	PTM	Fixed	500 v	±10%	283-509
C180E	.1 μf	PTM	Fixed	400 v	±10%	285-543
C181	1 μf	PTM	Fixed	400 v	±10%	285-515
C187	39 μf	PTM	Fixed	400 v	±10%	285-526
C190	.005 μf	Cer.	Fixed	400 v	±10%	285-526
C193	12 μf	Cer.	Fixed	500 v	±10%	281-516
C196	.01 μf	Cer.	Fixed	500 v	±10%	283-001
	.001 μf	Cer.	Fixed	500 v	±10%	281-508
	.001 μf	Cer.	Fixed	500 v	±10%	283-002
	.001 μf	Cer.	Fixed	500 v	±10%	283-000

- ABBREVIATIONS**
- Cer. Ceramic
 - Comp. Composition
 - EMC Electrolytic, metal cased
 - f Farad
 - G Giga, or 10⁹
 - h Henry
 - K or k Guaranteed minimum value
 - M/Cer. Mica or Ceramic
 - M or meg Megaohms or mega (10⁶)
 - μ Micro, or 10⁻⁶
 - μm Micromicro or 10⁻¹²
 - m milli or 10⁻³
 - n Nano or 10⁻⁹
 - Ω ohm
 - p Pico or 10⁻¹²
 - PTB Paper, "Bathtub"
 - PMC Paper, metal cased
 - Poly. Polystyrene
 - Prec. Precision
 - PT Paper Tubular
 - T Terra or 10¹²
 - v Working volts DC
 - Var. Variable
 - w Watt
 - WW Wire-wound

- SPECIAL NOTES AND SYMBOLS**
- + and up
 - † Approximate serial number.
 - X000 Part first added at this serial number.
 - 000X Part removed after this serial number.
 - *000-000 Asterisk preceding Tektronix Part Number indicates manufactured by or for Tektronix, also reworked or checked components.
 - (Mod. w/) Simple replacement not recommended.
 - Modify to value for later instruments and change other parts to match.



MANUFACTURERS OF CATHODE-RAY OSCILLOSCOPES

TYPE 585 OSCILLOSCOPE POWER SUPPLY

HOW TO ORDER PARTS

Replacement parts may be purchased at current net prices from your local Tektronix Field Office or from the factory. Most of the parts can be obtained locally. All of the structural parts, and those parts noted in the parts list "Manufactured by Tektronix", should be ordered from Tektronix.

When ordering from Tektronix include a complete description of the part, and its 6-digit part number. Give the type, serial number, and modification number (if any) of the instrument for which it is ordered.

Structural parts are not listed in the parts list. Their part numbers are usually stamped directly on the metal. If not, a complete physical description of the part will suffice.

If the part which you have ordered has been replaced by a new or improved part, the new part will be shipped instead. Tektronix Field Engineers are informed of such changes. Where necessary replacement information comes with new parts.

PARTS LIST

Values fixed unless marked Variable.

Tolerance $\pm 20\%$ unless otherwise indicated.

Bulbs

Tektronix
Part Number

B605 Incandescent #12 Pilot light 150-018

Capacitors

C20		.1 μf	Discap	30 v		283-024
C21	101-140X	39 $\mu\mu f$	Cer.	500 v	$\pm 3.9 \mu\mu f$	281-516
C25	101-140	39 $\mu\mu f$	Cer.	500 v	$\pm 3.9 \mu\mu f$	281-516
C25	141-up	22 $\mu\mu f$	Cer.	500 v	$\pm 4.4 \mu\mu f$	281-510
C26		.1 $\mu\mu f$	Discap	10 v		283-023
C29		.001 μf	Discap	500 v		283-000
C31	101-140X	47 $\mu\mu f$	Cer.	500 v	$\pm 4.7 \mu\mu f$	281-519
C35	101-140	47 $\mu\mu f$	Cer.	500 v	$\pm 4.7 \mu\mu f$	281-519
C35	141-up	39 $\mu\mu f$	Cer.	500 v	$\pm 3.9 \mu\mu f$	281-517
C36		.1 $\mu\mu f$	Discap	10 v		283-023
C38		.1 μf	Discap	30 v		283-024
C39		.1 μf	Discap	30 v		283-024
C40		.1 μf	Discap	30 v		283-024
C41	101-140X	39 $\mu\mu f$	Cer.	500 v	$\pm 3.9 \mu\mu f$	281-516
C45	101-140	39 $\mu\mu f$	Cer.	500 v	$\pm 3.9 \mu\mu f$	281-516
	141-up	22 $\mu\mu f$	Cer.	500 v	$\pm 4.4 \mu\mu f$	281-510
C46		.1 μf	Discap	10 v		283-023
C49		.001 μf	Discap	500 v		283-000
C51	101-140X	47 $\mu\mu f$	Cer.	500 v	$\pm 4.7 \mu\mu f$	281-519
C55	101-140	47 $\mu\mu f$	Cer.	500 v	$\pm 4.7 \mu\mu f$	281-519
	141-up	39 $\mu\mu f$	Cer.	500 v	$\pm 3.9 \mu\mu f$	281-517
C56		.1 μf	Discap	10 v		283-023
C58		.1 μf	Discap	30 v		283-024
C70		.01 μf	Discap	150 v		283-003
C73		.01 μf	Discap	150 v		283-003
C78		.01 μf	Discap	150 v		283-003
C80	101-140	.001 μf	Discap	500 v	5%	283-031
	141-350	.001 μf	Discap	500 v		283-031
		470 $\mu\mu f$	Cer.	500 v		281-525
	351-up	1500 $\mu\mu f$	Discap	500 v		283-035
C82		.1 μf	Discap	10 v		283-023
C84		.005 μf	Discap	500 v		283-001
C86		470 $\mu\mu f$	Discap	500 v	5%	283-032
C90		.02 μf	Discap	150 v		283-004
C91		100 μf	EMT	25 v		290-015
C600		1500 $\mu\mu f$	Discap	500 v		281-559
C601		1500 $\mu\mu f$	Cer.	500 v		281-559
C610		4000 μf	EMC	15 v		290-091
C611		4000 μf	EMC	15 v		290-091
C627		100 μf	EMT	25 v		290-015
C647		1000 μf	EMC	50 v		290-123

Capacitors (continued)

					Tektronix Part Number
C661		2 x 40 μ f	EMC	250 v	290-040
C679	101-140	.1 μ f	Discap	500 v	283-008
	141-up	.1 μ f	MT	400 v	285-526
C696		.001 μ f	Discap	500 v	283-000
C725		2.2 μ f	Discap	3 v	283-019
C735		2.2 μ f	Discap	3 v	283-019

Fuses

F601		1-1/2 amp	3 AG	Fast Blo	159-016
------	--	-----------	------	----------	---------

Inductors

L20		.18 μ h			*108-009
L40		.18 μ h			*108-009
L83		2.2 μ h on 47 Ω , 1/2 w res. with 39 μ f, Cer. Cap.			*108-203
L86		15000 μ h			*108-008

Resistors

R3		24 Ω	1/2 w	Comp.	5%	301-240
R4		68 Ω	1/2 w	Comp.	5%	301-680
R5		24 Ω	1/2 w	Comp.	5%	301-240
R6		75 Ω	1/2 w	Comp.	5%	301-750
R20		68 Ω	1/4 w	Comp.	10%	316-680
R21	101-140X	470 Ω	1/4 w	Comp.	10%	316-471
R22	101-140	1.2 k	1/4 w	Comp.	10%	316-122
	141-350	995 Ω	1/2 w	Prec.	2%	309-085
	351-up	1 k	1/8 w	Comp.	1%	318-049
R23	101-140	2.7 k	1/4 w	Comp.	10%	316-272
	141-350	3 k	1/2 w	Prec.	1%	309-182
	351-up	3.01 k	1/8 w	Prec.	1%	318-035
R25	101-140	560 Ω	1/4 w	Comp.	10%	316-561
	141-up	910 Ω	1/4 w	Comp.	5%	315-911
R26	101-140	43 Ω	1/2 w	Comp.	5%	301-430
	141-350	49.5	1/2 w	Prec.	1%	309-215
	351-up	49.9 Ω	1/8 w	Prec.	1%	318-046
R28	101-140	390 Ω	1/4 w	Comp.	10%	316-391
	141-350	390 Ω	1/4 w	Comp.	5%	315-391
	351-up	392 Ω	1/8 w	Prec.	1%	318-048
R29	101-140	1.2 k	1/4 w	Comp.	10%	316-122
	141-up	2.2 k	1/4 w	Comp.	5%	315-222
R31	101-140X	470 Ω	1/4 w	Comp.	10%	316-471
R35		910 Ω	1/4 w	Comp.	5%	315-911
R36	101-140	43 Ω	1/2 w	Comp.	5%	301-430
	141-350	60 Ω	1/2 w	Prec.	1%	309-067
	351-up	60.4 Ω	1/8 w	Prec.	1%	318-047
R38	101-140	1.2 k	1/4 w	Comp.	10%	316-122
	141-up	620 Ω	1/4 w	Comp.	5%	315-621
R39		22 Ω	1/2 w	Comp.	10%	302-220

Resistors (continued)

Part Number
Tektronix

R40		68 Ω	$\frac{1}{4}$ w	Comp.	10%	316-680
R41	101-140X	470 Ω	$\frac{1}{4}$ w	Comp.	10%	316-471
R42	101-140	1.2 k	$\frac{1}{4}$ w	Comp.	10%	316-122
	141-350	995 Ω	$\frac{1}{2}$ w	Prec.	2%	309-085
	351-up	1 k	$\frac{1}{8}$ w	Prec.	1%	318-049
R43	101-140	2.7 k	$\frac{1}{4}$ w	Comp.	10%	316-272
	141-350	3 k	$\frac{1}{2}$ w	Prec.	1%	309-182
	351-up	3.01 k	$\frac{1}{8}$ w	Prec.	1%	318-035
R45	101-140	560 Ω	$\frac{1}{4}$ w	Comp.	10%	316-561
	141-up	910 Ω	$\frac{1}{4}$ w	Comp.	5%	315-511
R46	101-140	43 Ω	$\frac{1}{2}$ w	Comp.	5%	301-430
	141-350	49.5 Ω	$\frac{1}{2}$ w	Prec.	1%	309-215
	351-up	49.9 Ω	$\frac{1}{8}$ w	Prec.	1%	318-046
R48	101-140	390 Ω	$\frac{1}{4}$ w	Comp.	10%	316-391
	141-350	390 Ω	$\frac{1}{4}$ w	Comp.	5%	315-391
	351-up	392 Ω	$\frac{1}{8}$ w	Prec.	1%	318-048
R49	101-140	1.2 k	$\frac{1}{4}$ w	Comp.	10%	316-122
	141-up	2.2 k	$\frac{1}{4}$ w	Comp.	5%	315-222
R51	101--140X	470 Ω	$\frac{1}{4}$ w	Comp.	10%	316-471
R55		910 Ω	$\frac{1}{4}$ w	Comp.	5%	315-911
R56	101-140	43 Ω	$\frac{1}{2}$ w	Comp.	5%	301-430
	141-350	60 Ω	$\frac{1}{2}$ w	Prec.	1%	309-067
	351-up	60.4 Ω	$\frac{1}{8}$ w	Prec.	1%	318-047
R58	101-140	1.2 k	$\frac{1}{4}$ w	Comp.	10%	316-122
	141-up	620 Ω	$\frac{1}{4}$ w	Comp.	5%	315-621
R70		56 Ω	$\frac{1}{4}$ w	Comp.	10%	316-560
R71		8.2 k	$\frac{1}{4}$ w	Comp.	10%	316-822
R73		47 Ω	$\frac{1}{4}$ w	Comp.	10%	316-470
R78		1.2 k	$\frac{1}{4}$ w	Comp.	10%	316-122
R81		390 Ω	$\frac{1}{4}$ w	Comp.	10%	316-391
R82		200 Ω		Var.	Comp. Trig. Sensitivity	311-178
R84		27 Ω	$\frac{1}{2}$ w		Comp. 10%	302-270
R86		2.7 k	$\frac{1}{4}$ w		Comp. 10%	316-272
R88		10 k	$\frac{1}{4}$ w		Comp. 10%	316-103
R89		20 k		Var.	Comp. Rep. Rate Limit	311-159
R90		22 Ω	$\frac{1}{2}$ w	Comp.	10%	302-220
R91		22 Ω	$\frac{1}{2}$ w	Comp.	10%	302-220
R605		47 Ω	2 w	Comp.	10%	306-470
R622		15 Ω	2 w	Comp.	10%	306-150
R647		120 Ω	5 w	WW	5%	308-163
R648		180 Ω	2 w	Comp.	10%	306-181
R660		10 Ω	1 w	Comp.	10%	304-100
R661		1.5 k	5 w	WW	5%	308-002
R668		680 Ω	2 w	Comp.	10%	306-681
R669		680 Ω	2 w	Comp.	10%	306-681
R678		2.2 k	1 w	Comp.	10%	304-222
R679		2.2 k	1 w	Comp.	10%	304-222
R690		2.2 k	1 w	Var.	Comp. 100 V Adj.	311-071
R691		18 k	$\frac{1}{2}$ w	Prec.	1%	309-036
R692		1.8 meg	$\frac{1}{2}$ w	Prec.	1%	309-020

Resistors (continued)

						Tektronix Part Number
R694	20 K	1/2 w		Prec.	1%	309-153
R695	180 k	1/2 w		Prec.	1%	309-279
R696	20 k		Var.	WW	Amplitude	311-053
R721	3.3 k	1/2 w		Comp.	5%	301-332
R722	68 Ω	1/2 w		Comp.	10%	302-680
R723	270 Ω	1/2 w		Comp.	5%	301-271
R724	1.2 k	1/2 w		Comp.	10%	302-122
R725	300 Ω		Var.	Comp.	Frequency Adj.	311-052
R726	1 k		Var.	Comp.	720 CPS Adj.	311-155
R731	3.3 k	1/2 w		Comp.	5%	301-332
R733	270 Ω	1/2 w		Comp.	5%	301-271
R744	0.5 Ω	1 w		WW	1%	308-087
R750	50 Ω	25 w		WW	5%	308-164
R751	47 k	1/2 w		Comp.	10%	302-473
R752	47 k	2 w		Comp.	10%	306-473
R753	4.7 k	1/2 w		Comp.	10%	302-472
R756	47 k	1/2 w		Comp.	10%	302-473
R757	47 k	2 w		Comp.	10%	306-473
R758	4.7 k	1/2 w		Comp.	10%	302-472

Switches

		Wired	Unwired
SW1,A&B	Trigger Mode		*260-300
SW4,A&B	Attenuator & Inverter	*262-275	*260-300
SW24,A&B	Amplifier, 1 and 2	*262-276	*260-300
SW70	External Output & Regenerator		*260-301
SW92,A&B	Delay & Inverter	*262-278	*260-300
SW601	Power		260-134
SW610	Mode	*262-273	*260-303
SW690,A&B	Voltage Range & Pulse Polarity	*262-272	*260-302
SW750	Mercury, selected		*260-334

Transformers

T1	Trigger Take-off Ass'y	*650-205
T8	Toroid, TD15	*120-174
T20	Toroid, TD4	*120-155
T38	Toroid, TD4	*120-155
T40	Toroid, TD4	*120-155
T58	Toroid, TD4	*120-155
T80	Toroid, TD3	*120-154
T96	Toroid, TD15	*120-174
T600	Toroid, TD 12	*120-164
T601	Power	*120-162
T610	Toroid, TD5	*120-156
T750	Toroid, TD13	*120-163

Diodes

Tektronix
Part Number

D71	Germanium, Q6-100	152-026
D73	Germanium, Q6-100	152-026
D78	Zener, 6.2 to 8.0 volts	152-004
D80	Germanium, DR746	152-007
D84	Germanium, DR746	152-007
D601	Silicon, 400 V PIV 500 MA	152-011
D602	Silicon, 400 V PIV 500 MA	152-011
D622	Zener, 10 M 7.5Z	152-019
D640	Silicon, 400 V PIV 500 MA	152-011
D641	Silicon, 400 V PIV 500 MA	152-011
D642	Silicon, 400 V PIV 500 MA	152-011
D643	Silicon, 400 V PIV 500 MA	152-011
D647	Zener, 10 M 36Z	152-021
D648	Zener, 10 M 22Z	152-020
D661	Silicon, 400 V PIV 500 MA	152-011
D662	Silicon, 400 V PIV 500 MA	152-011

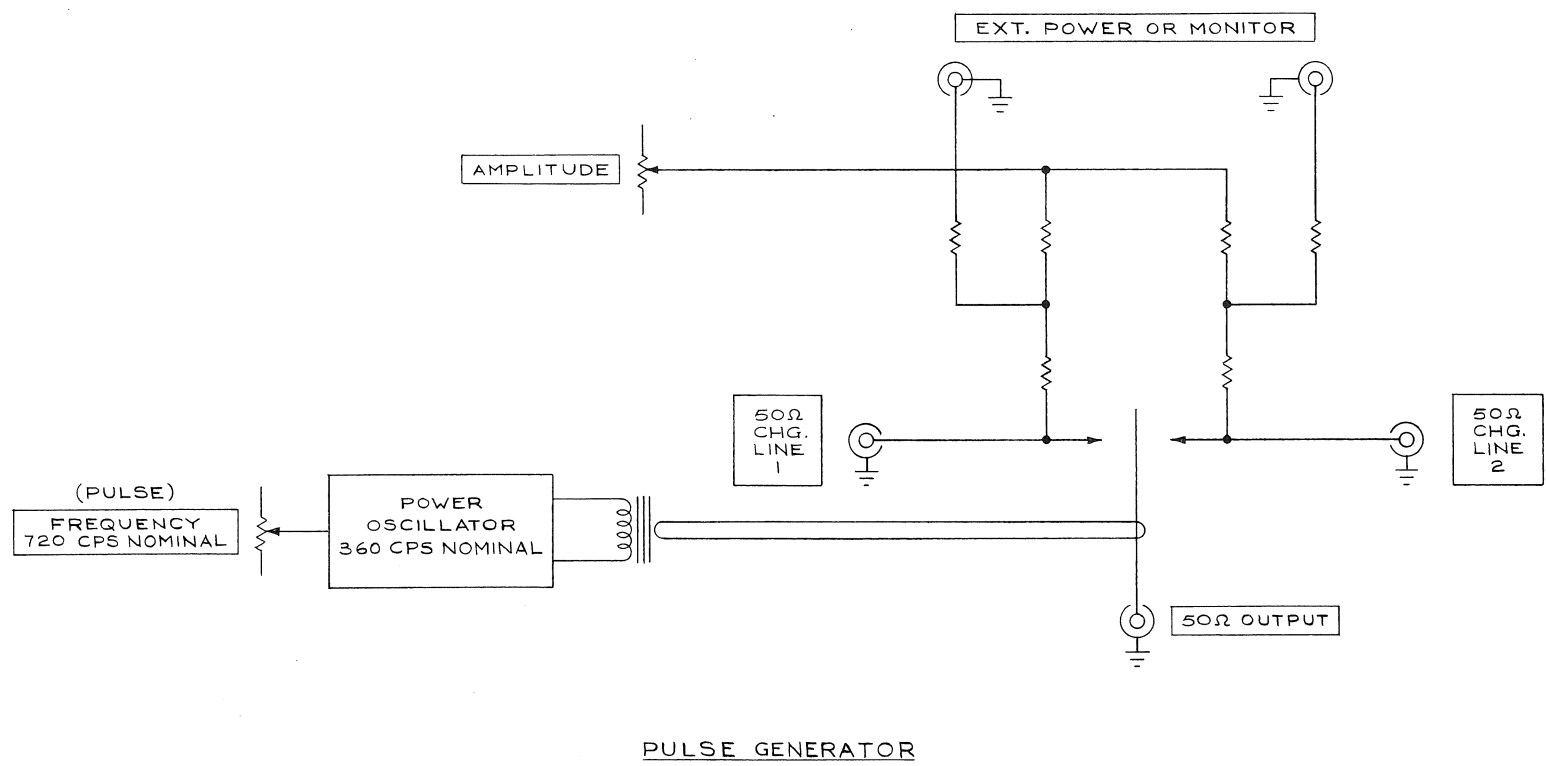
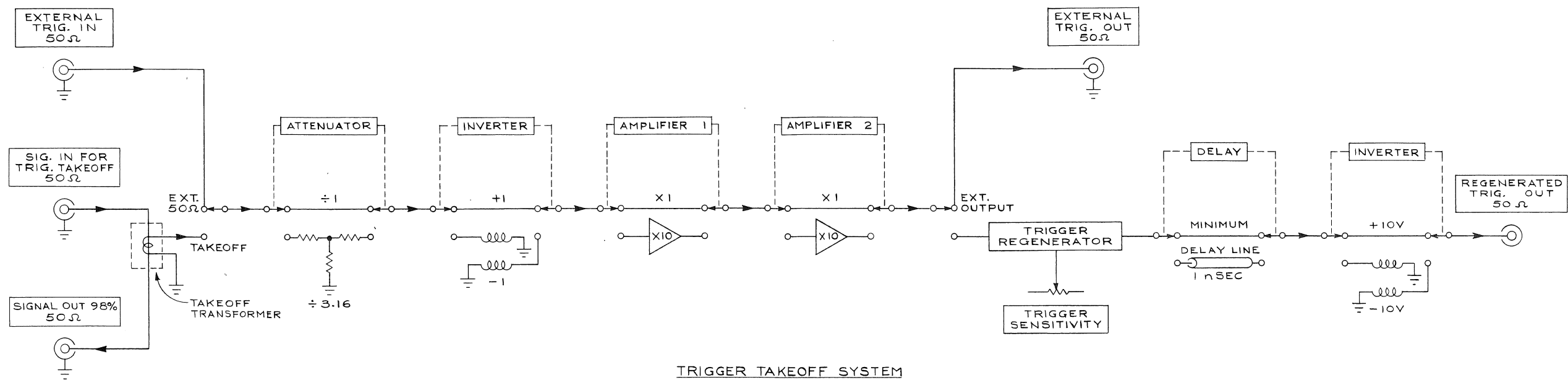
172070

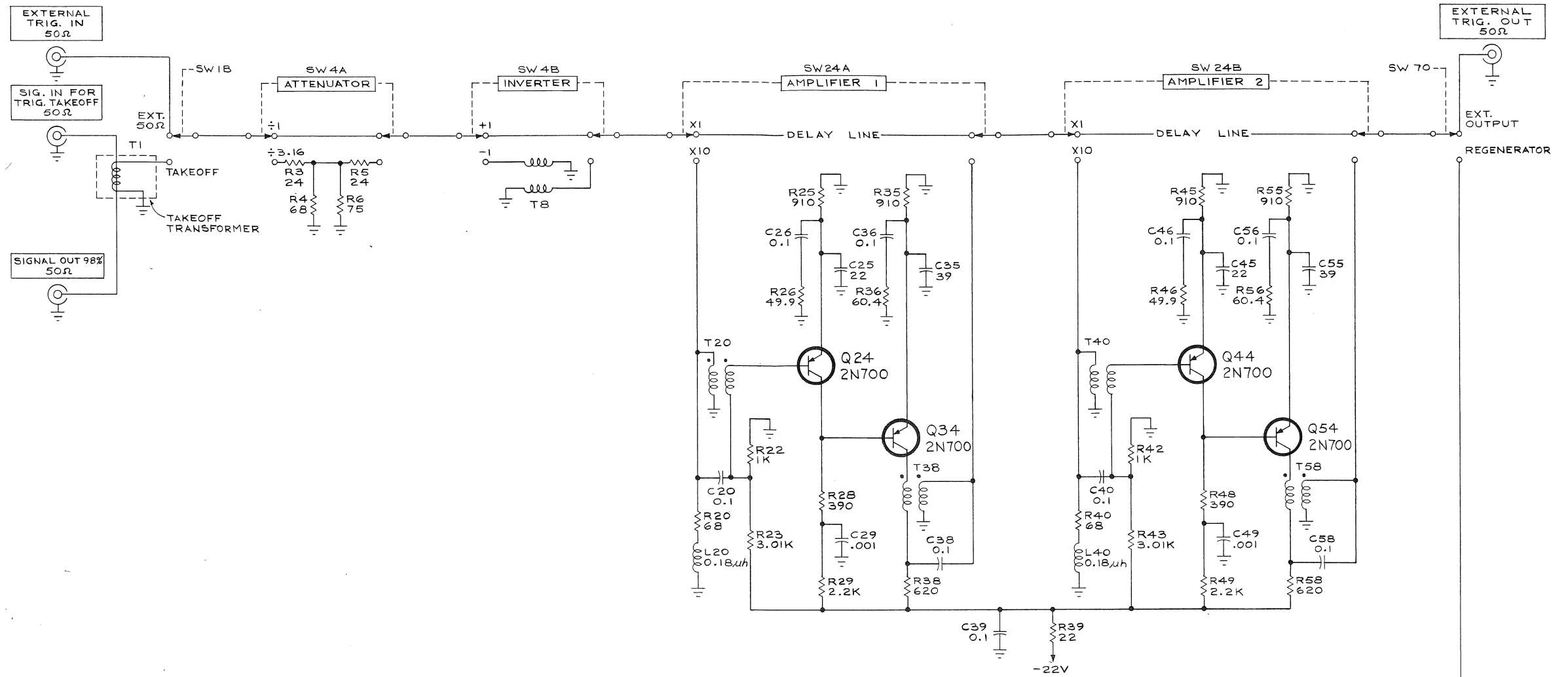
Transistors

Q24	101-140	2N700	Selected, Beta 13.5 to 21	*153-507
	141-up	2N700	Selected, Beta 8-10.2	*153-512 ✓
Q34	101-140	2N700	Selected, Beta 21 to 26.5	*153-506
	141-up	2N700	Selected, Beta 10.2 to 13	*153-513 ✓
Q44	101-140	2N700	Selected, Beta 10.5 to 13.5	*153-508
	141-up	2N700	Selected, Beta 8 to 10.2	*153-512
Q54	101-140	2N700	Selected, Beta greater than 26.5	*153-505
	141-up	26700	Selected, Beta 10.2 to 13	*153-513
Q80		SM-04/2N695		151-032
Q627		2N250		151-018
Q725		2N270		151-007
Q735		2N270		151-007
Q744		2N250		151-018
Q754		2N250		151-018

Electron Tubes

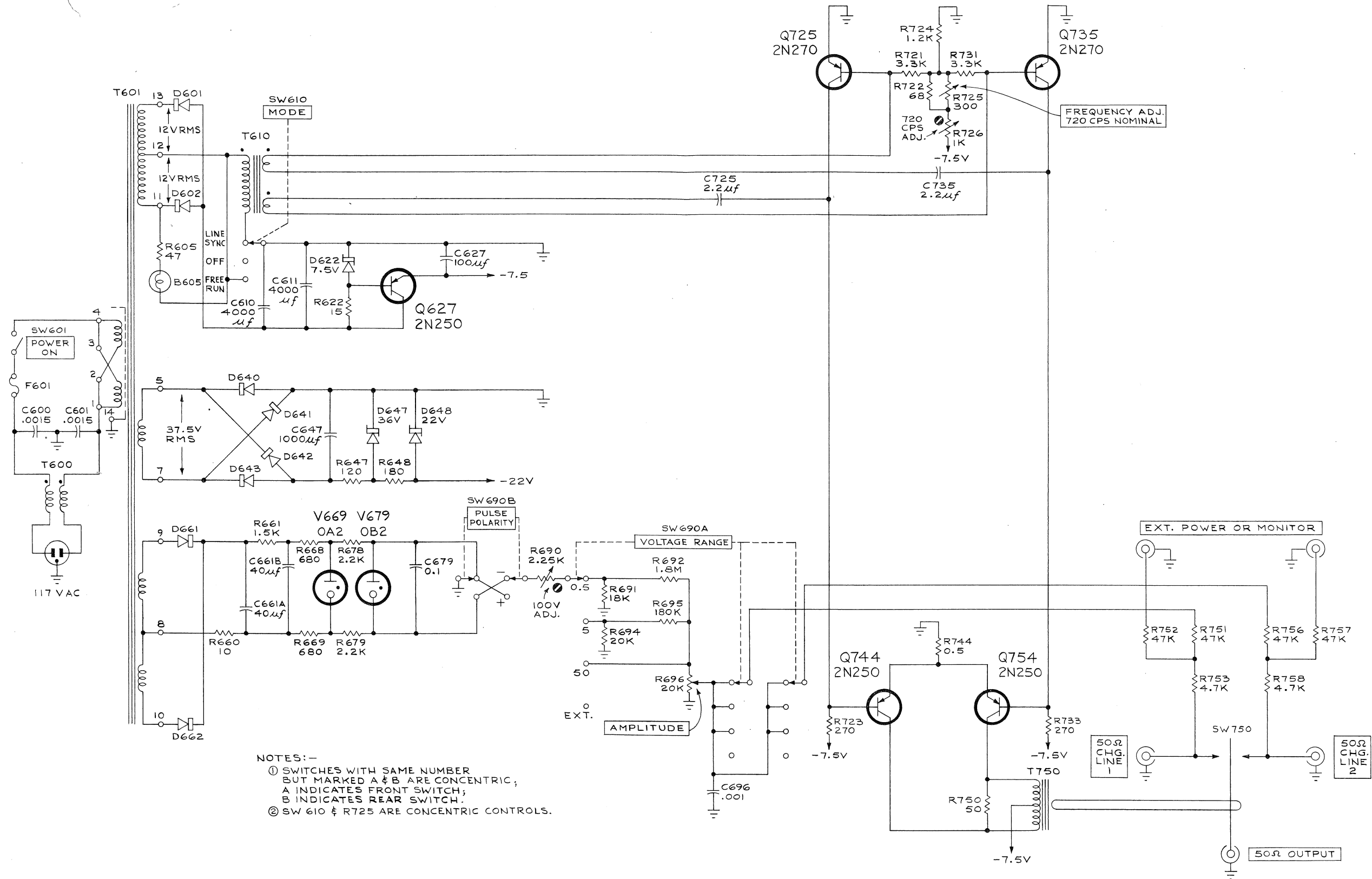
V669	OA2	154-001
V679	OB2	154-075





NOTES:-
 ① SWITCHES WITH SAME NUMBER BUT MARKED A & B ARE CONCENTRIC; A INDICATES FRONT SWITCH; B INDICATES REAR SWITCH.
 ② SW 70 & SW 22 ARE CONCENTRIC CONTROLS.

MRH
 4-11-60
 TRIGGER TAKEOFF SYSTEM



NOTES:-
 ① SWITCHES WITH SAME NUMBER BUT MARKED A & B ARE CONCENTRIC; A INDICATES FRONT SWITCH; B INDICATES REAR SWITCH.
 ② SW 610 & R725 ARE CONCENTRIC CONTROLS.